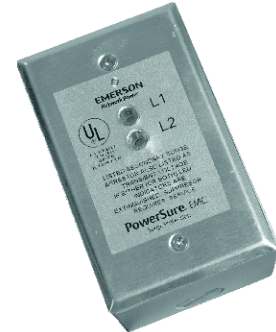


PowerSure™ EMC-240B

120/240 VAC Surge Protection

- Surge Protection
For Business-Critical Continuity™

The PowerSure EMC-240B surge suppressor is designed to protect AC distribution panel circuits or 120V power supplies feeding sensitive electronic equipment. Electrically, the unit incorporates MOV fusing technology. The PowerSure EMC-240B is designed to be installed in parallel on standard split phase 120/240 VAC (3W+G) or single phase 120 VAC (2W+G) circuits.



General Technical Specifications

Operating Voltage	120/240 VAC
Total Peak Surge Current	80 kA (8 x 20 μs)
Short Circuit Current Rating	42kAIC
Location Type	Type 2
I-Nominal (In)	3kA
Operating Current	NA, Parallel
Operating Frequency	47-63 Hz
EMI Attenuation (100 kHz to 100 MHz)	>40 dB
SPD Technology	Metal Oxide Varistors (MOVs)
Modes of Protection	Line-to-Line Line-to-Neutral
Status Indication	Power On & MOVs functional
Connection Type	Wire Leads
Operating Temperature	-40°C to +85°C
Dimensions (Inches)	4.6H x 2.2W x 2.8L
Weight	13.5 oz
Certifications	ANSI/UL 1449 Third Edition

Features

- Fast response time
- 40,000 Amps per phase capacity
- Failsafe and fused
- Operational status indicators
- ANSI/UL 1449 Third Edition
- 5 year warranty

Models

EMC-240B	with 1/2" Chase Nipple
EMC-240BK	with 1/2" Conduit Offset, 2.5" Long
EMC-240BK90	with 1/2" Conduit 90°, 3.25" Long

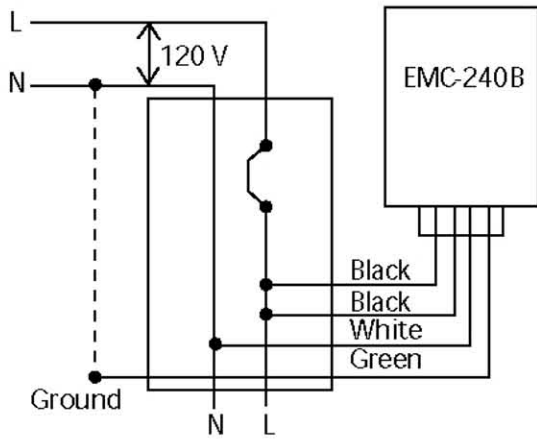
Proudly Distributed By:

DIGITAL TELECOM
INC.

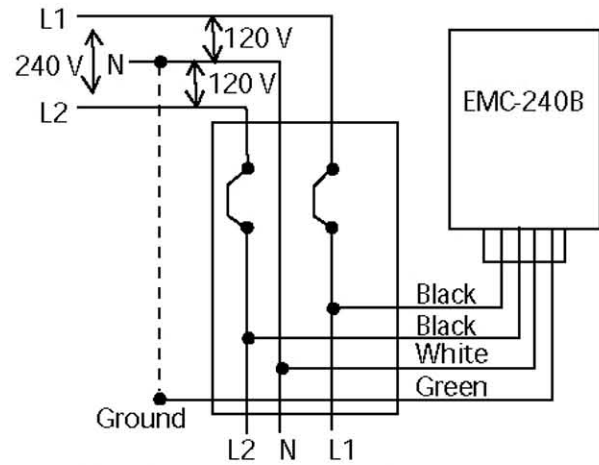
6176 126th Ave.
Largo, FL. 33773-1854
(800)365-5957 (Phone)
(727)571-1818 (Fax)


EMERSON
Network Power

Installation

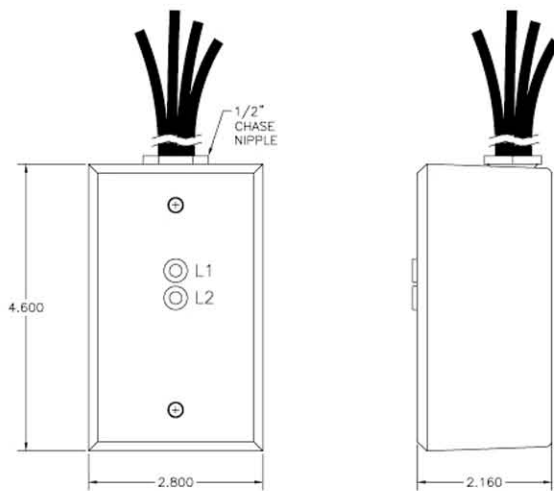


120V applications use a single pole 30Amp breaker



120/240V applications, use a 2 pole 30Amp breaker

Dimensions



Caution

1. Installation and service should be performed by qualified electricians only.
2. Before installing EMC, remove all electrical power from circuits.
3. Connect on load side of main breakers.
4. Preferably use a single-2 pole circuit breaker
 - a. 120V applications use a single pole 30amp breaker.
 - b. 120/240V applications, use a 2 pole 30amp breaker

Emerson Network Power.
The global leader in enabling
Business-Critical Continuity™.

■ AC Power
■ Connectivity
■ DC Power

■ Embedded Computing
■ Embedded Power
■ Monitoring

■ Outside Plant
■ Power Switching & Control
■ Precision Cooling

■ Racks and Integrated Cabinets
■ Services
■ Surge Protection

Proudly Distributed By:

DIGITAL TELECOM
INC.

6176 126th Ave.
Largo, FL. 33773-1854
(800)365-5957 (Phone)
(727)571-1818 (Fax)

EMERSON
Network Power