

Edco FAS-1 and FAS-2 Series

One and Two Pair Signal/Power Line Protector (Commercial)

■ Surge Protection
For *Business-Critical Continuity™*

The Edco FAS-1 and Edco FAS-2 Series are multi-stage single pair or two pair surge suppressors designed for high exposure applications. These products were specifically designed to meet multiple low voltage protection applications in the fire and security industries.

General Technical Specifications

Operating Voltage	15, 24, 36, 52 VDC
Clamping Voltage	18, 33, 43, 60 VDC
Operating Current	2.5 A
Peak Surge Current	10 kA (8 x 20 μ s)
Frequency Range	0–10 MHz
Insertion Loss	< 0.1 dB at 10 MHz
SPD Technology	GDT, SAD, w/Series Inductor
Connection Type	Terminal block w/compression lugs Terminals accept up to 12 AWG
Operating Temperature	-40°C to +85°C
Dimensions (Inches)	FAS-1 = 1.5H x 1.5W x 2.8L FAS-2 = 2H x 2W x 2.8L
Weight	FAS-1 = 3.5 oz FAS-2 = 7 oz
Warranty	5 years



Features

- Lightning protection for low voltage data/signal lines
- Multi-stage protection
- Common mode and differential protection mode
- Automatic recovery
- 5 year warranty

Proudly Distributed By:

DIGITAL TELECOM
INC.

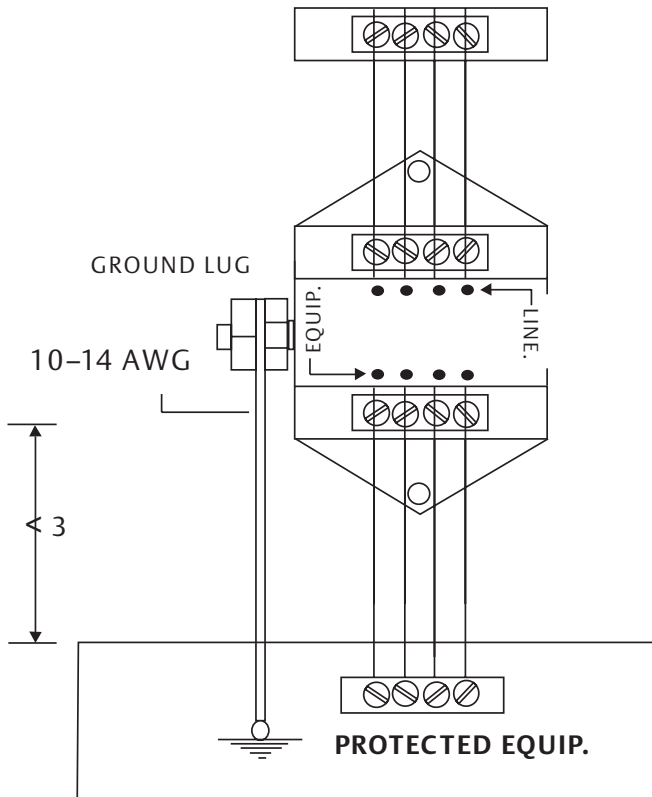
6176 126th Ave.
Largo, FL. 33773-1854
(800)365-5957 (Phone)
(727)571-1818 (Fax)

www.DigitalTele.com



Installation

UNPROTECTED OR FIELD SIDE



GROUNDING:

- 1ST CHOICE: USE AC POWER GROUND
2ND CHOICE: USE BUILDING

DO NOT daisy chain grounds. NOT intended for shield termination. Install ground in accordance with all applicable codes.

Installation Instructions

- Never install data wiring during a lightning storm.
- Disconnect data line before installing the protection module.
- These protectors are intended for indoor use on communication loop circuits which have been isolated from the Public Switch Telephone Network.
- The communication loop circuits shall not be exposed to accidental contact with the electric light or power conductors. The protectors shall be installed per the applicable requirements of the National Electric Code, ANSI/NFPA 70.

Ordering Information

12VDC use:	FAS-1-018 HC (single pair) FAS-2-018 HC (two pair)
24VDC use:	FAS-1-033 HC (single pair) FAS-2-033 HC (two pair)
24VAC use:	FAS-1-043 HC (single pair) FAS-2-043 HC (two pair)
48V Systems use:	*FAS-1-060 HC (single pair) *FAS-2-060 HC (two pair)

*Not UL Listed

Caution: The hybrid design of this product includes series resistance. Do not place this product in service on any signal line capable of continuously supplying more than 2.5 amperes.

Emerson Network Power.
The global leader in enabling
Business-Critical Continuity™.

- AC Power
- Connectivity
- DC Power

- Embedded Computing
- Embedded Power
- Monitoring

- Outside Plant
- Power Switching & Control
- Precision Cooling

- Racks and Integrated Cabinets
- Services
- **Surge Protection**

Proudly Distributed By:

DIGITAL TELECOM
INC.

6176 126th Ave.
Largo, FL. 33773-1854
(800)365-5957 (Phone)
(727)571-1818 (Fax)

www.DigitalTele.com

EMERSON
Network Power